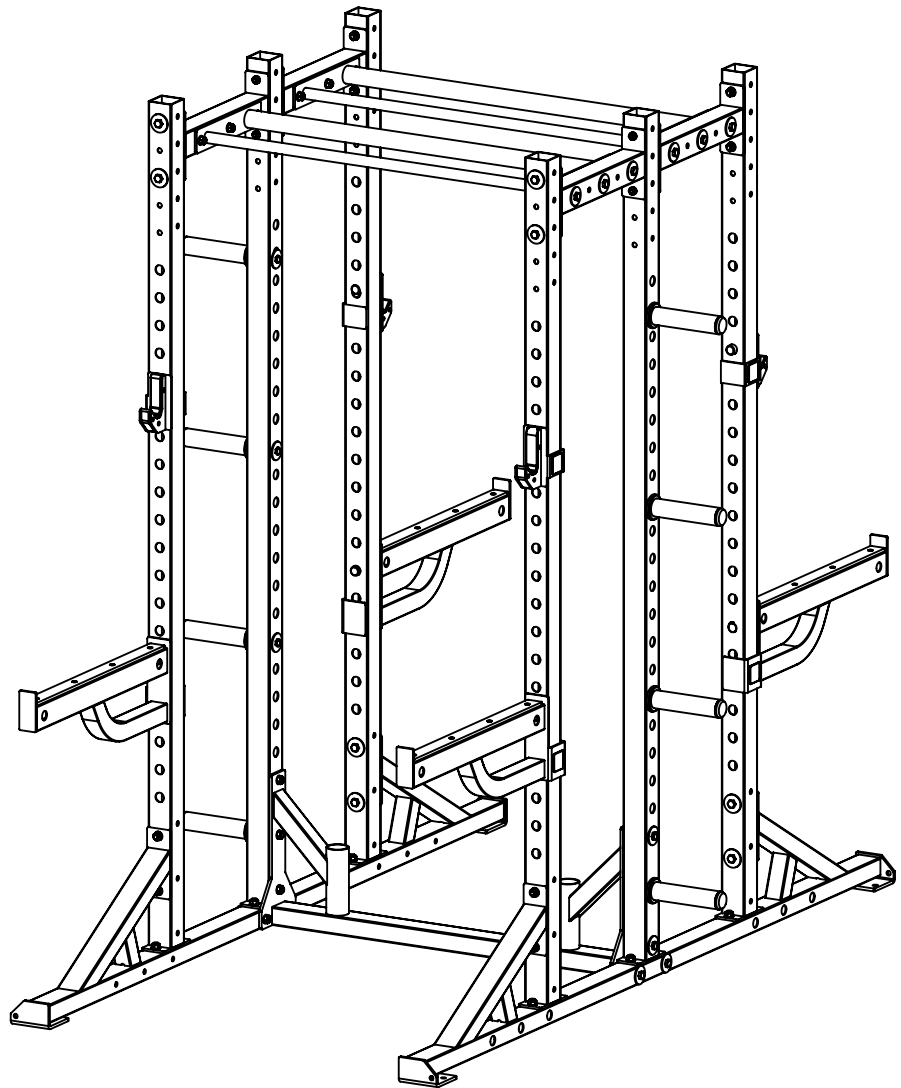


# OWNER'S MANUAL

## Athlete Combo Rack

Model #: XAR6620



Caution: Read all precautions and instructions in this manual before using this equipment. Save this manual for future reference.

# Assembly Instructions

## Contents

<b>Contents</b> .....	<b>1</b>
<b>Before You Begin</b> .....	<b>2</b>
<b>Assembly Steps</b> .....	<b>3-6</b>
<b>Parts &amp; Hardware List</b> .....	<b>7</b>

# ***Assembly Instructions***

## ***Before Your Begin***

This exercise equipment is built for optimum safety. Be sure to read the entire manual before you assemble or operate your equipment. Please note the following safety precautions:

1. Keep children and pets away from the equipment at all times. Do not leave children unattended in the same room with the equipment.
2. Only one person at a time should use the equipment.
3. If the user experiences dizziness, nausea, chest pain, or any other abnormal symptoms STOP the workout at once.  
CONSULT A PHYSICIAN IMMEDIATELY.
4. Position the equipment on a clear, level surface. DO NOT use the bench near water or outdoors.
5. Keep hands away from all moving parts.
6. Always wear appropriate workout clothing when exercising. DO NOT wear robes or other clothing that could become caught in the equipment.
7. Use the equipment only for its intended use as described in this manual. DO NOT use attachments not recommended by the manufacturer.
8. Before using the equipment, always do stretching exercises to properly warm up.
9. Never operate the equipment if the equipment is not functioning properly.

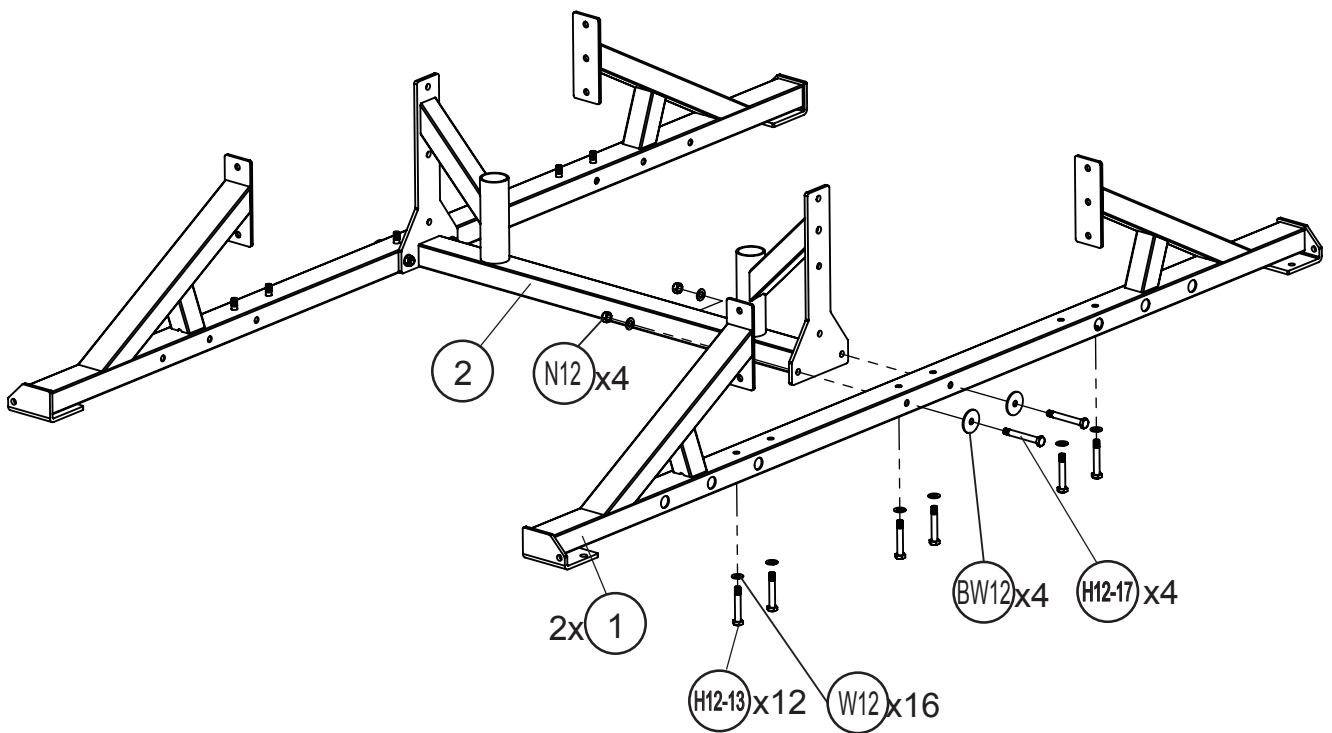
## ***Tools Required***

Tools Required : Allen Wrench Set / Socket Wrench Set  
Adjustable Wrench / Crescent Wrench  
Rubber Mallet / Tape Measure

***ASSEMBLY REQUIRES AT LEAST THREE PERSONS***

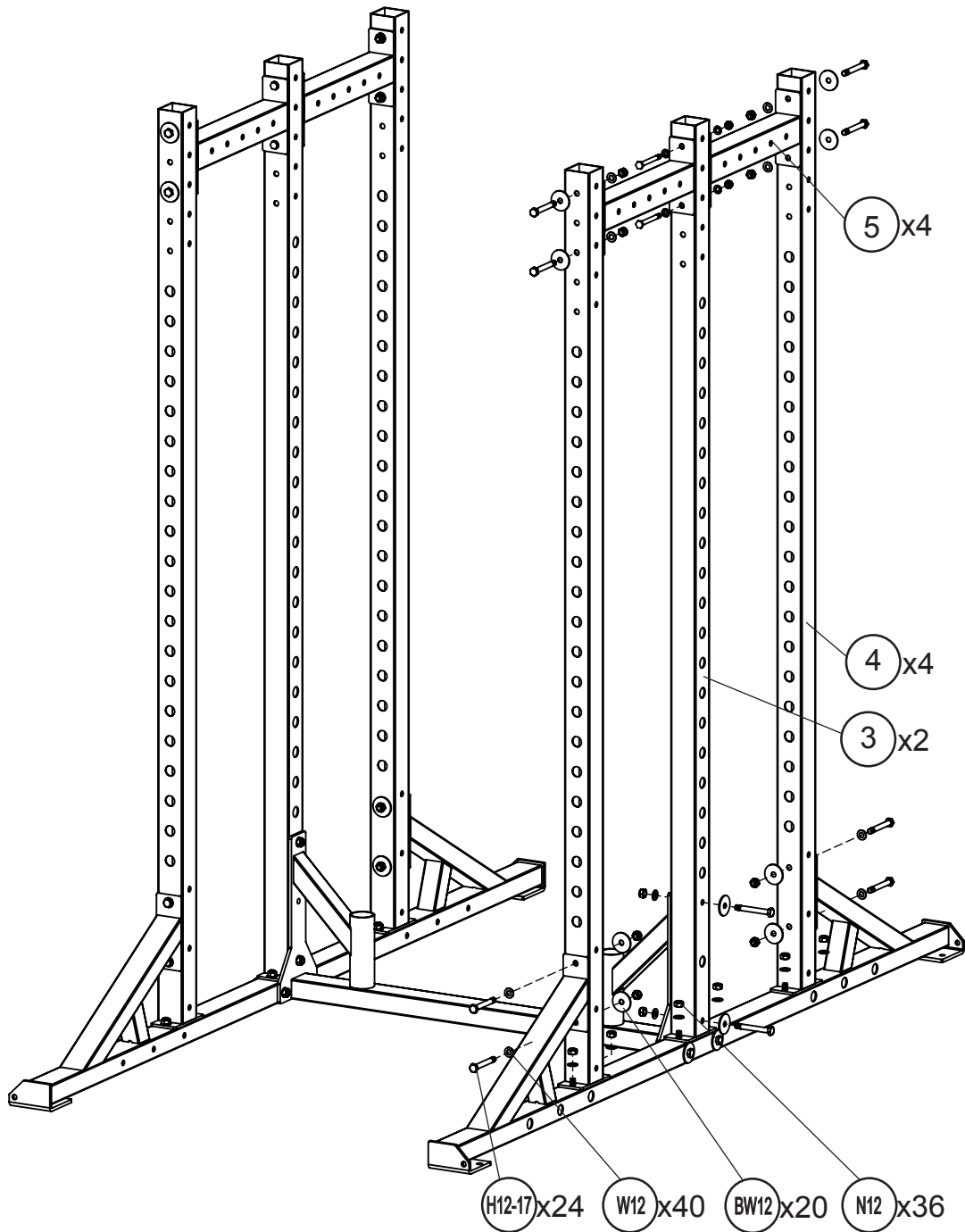
# Assembly Instructions

## STEP 1



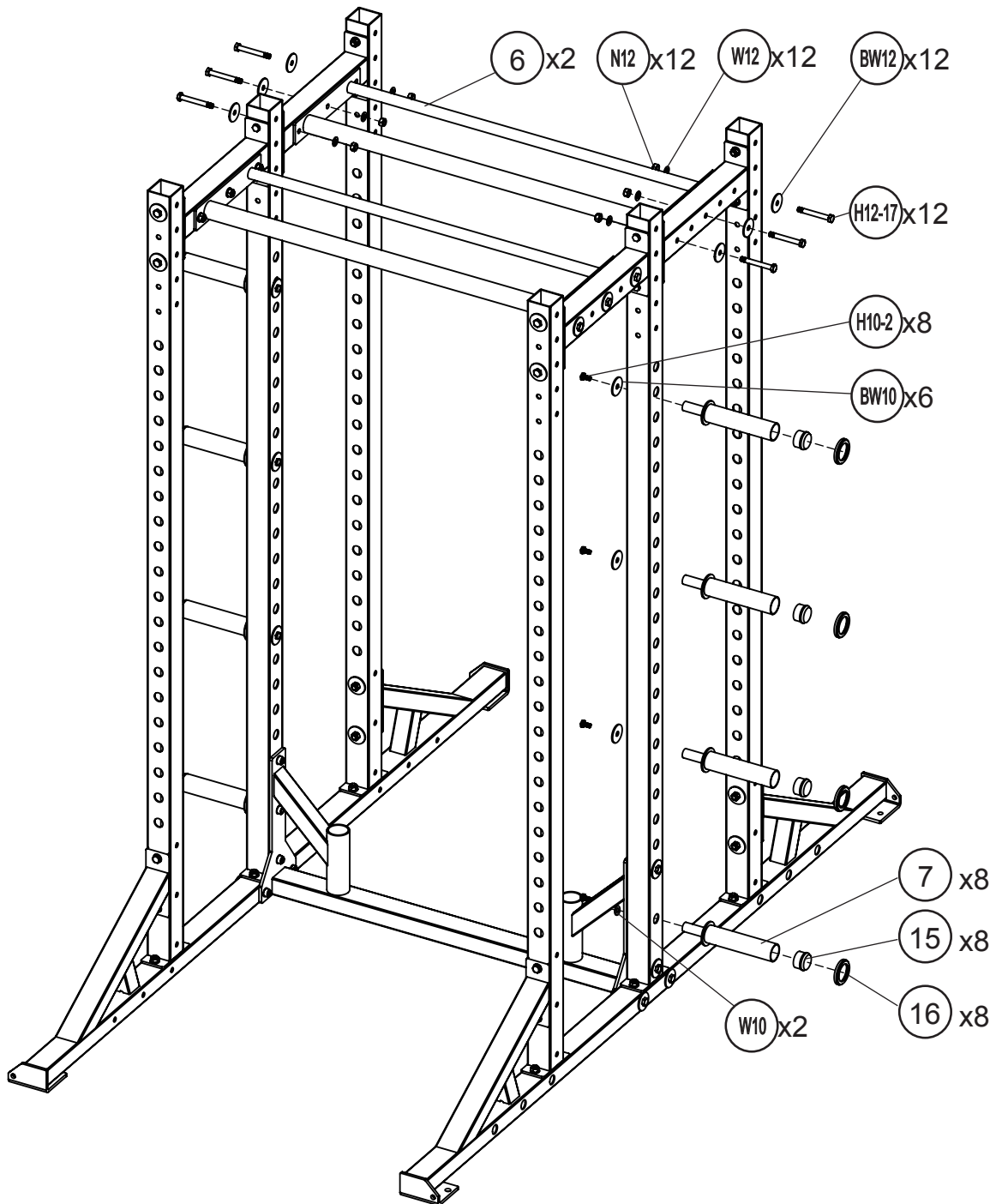
# Assembly Instructions

## STEP 2



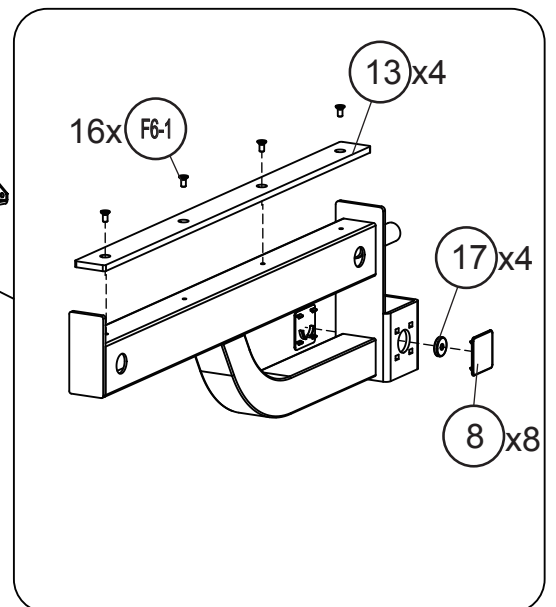
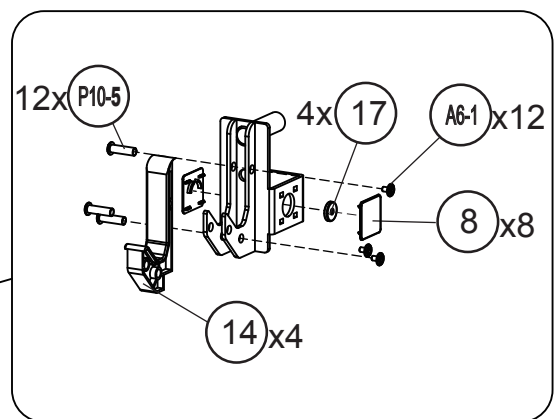
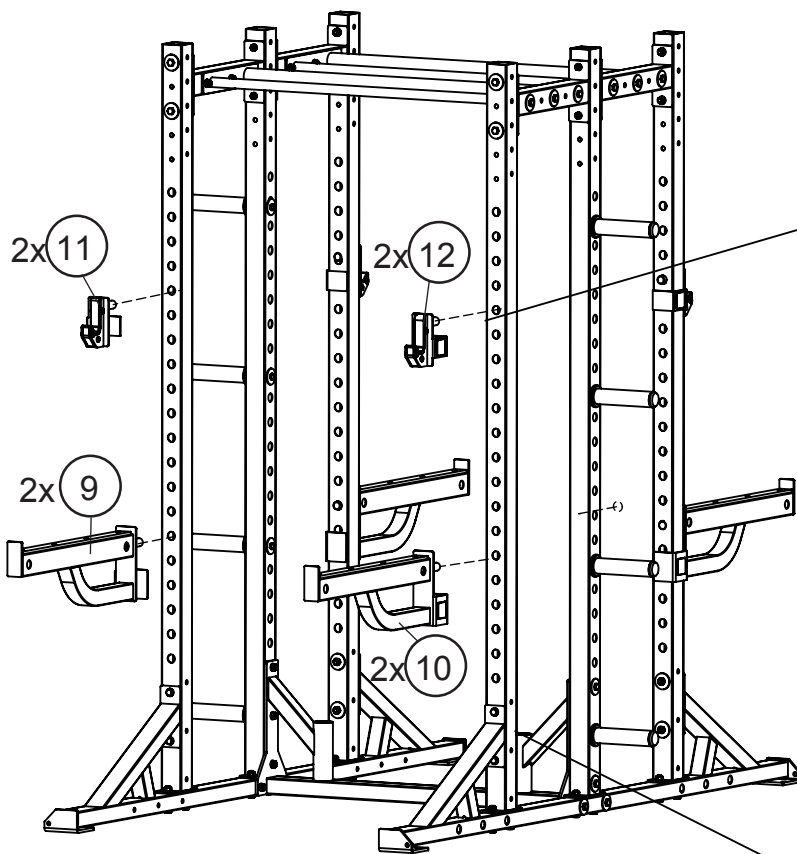
# Assembly Instructions

## STEP 3



# Assembly Instructions

## STEP 4



# Assembly Instructions

## **Parts & Hardware List**

Part#	Discription	Qty	Remark
1	Base Frame	2	
2	Bottom Cross Frame	1	
3	Middle Side Upright	2	
4	Side Upright	4	
5	Side Top Connector	4	
6	Pull-up Frame	2	
7	Plate Storage Holder	8	
8	Plastic Cover	16	
9	Right Spotting Arm	2	
10	Left Spotting Arm	2	
11	Right J-Hook	2	
12	Left J-Hook	2	
13	Spotting Arm Cover	4	Pre-assembled
14	J-Hook Cover	4	Pre-assembled
15	Dia 48mm Inner Cap	8	Pre-assembled
16	Plate Bumper Ring	8	
17	Magnet	8	Pre-assembled
A6-1	Allen Bolt M6x10	12	Pre-assembled
F6-1	Flat Head Bolt M6x10	16	Pre-assembled
P10-5	Positioning Bolt M10x35	12	Pre-assembled
H10-2	Hex Head Bolt M10x20	8	
H12-13	Hex Head Bolt M12x75	12	
H12-17	Hex Head Bolt M12x95	40	
W10	M10 Washer	2	
BW10	M10 Washer	6	
BW12	M12 Big Washer	36	
W12	M12 Washer	68	
N12	M12 Nut	52	

## ***Limited Warranty***

We warrants this product to be free from defects in workmanship and materials under normal use and conditions for a period of **1 year FROM THE DATE OF ORIGINAL PURCHASE**. This Limited Warranty is not transferable and is available only for the original purchaser of the product. The company's obligation under this warranty is limited to replacing or repairing the product, at the discretion of the company.

This Limited Warranty is void if the product is:

Damaged through improper use, negligence, abuse, misuse, transportation damage, act of nature, or accident, include failure to follow the assembly and or operation instructions supplied with the product.

Used in commercial or rental applications.

Modified or repaired by anyone not authorized by the company.

This Limited Warranty does not cover expendable items including but not limited to: Batteries, light bulbs, fuses, accessories, and other items that experience wear as a result of normal use.